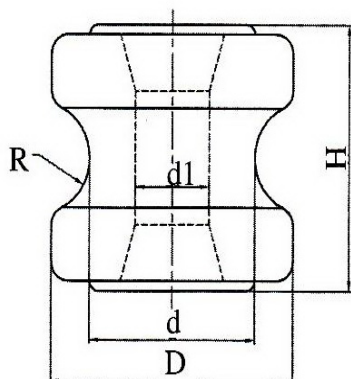
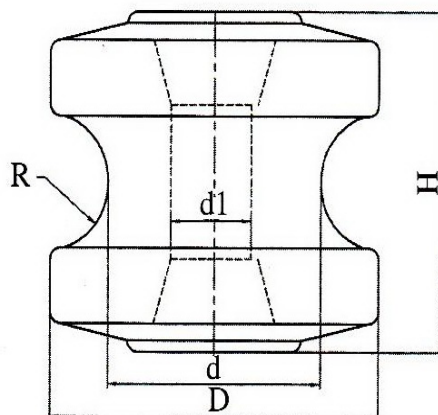


澳标线轴绝缘子  
SPOOL INSULATORS (AS Standard Type)



R-1



R-2

AS CLASS		R-1(SH.LV.1)	R-2(SH.LV.2)
Dimensions,mm	H	54	76
	D	57	80
	d	39	53
	d1	17.5	17.5
	R	11	17.5
Tension Strength,KN		9	20
Net Weight,Approx.,kg		0.2	0.6

**NOTE:**

- Standard:**comply with the Australian Standard AS3608
- Colour:**the glaze colors of the insulators are blue or light gray.