



线轴绝缘子
Spool Insulators

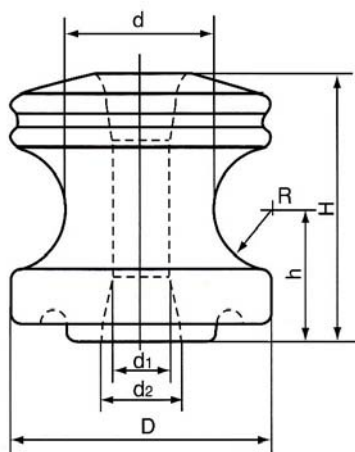


Fig 1

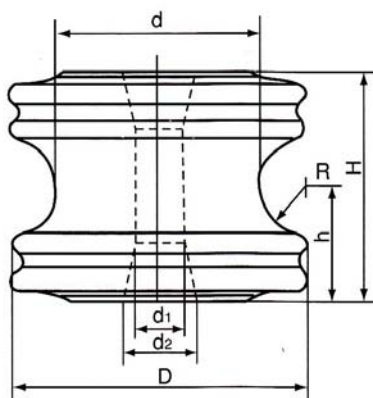


Fig 2

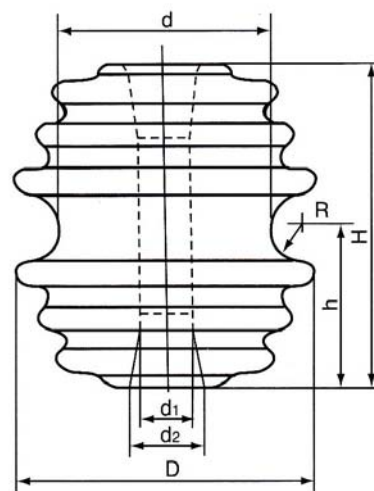


Fig 3

Main Dimensions and Characters								
Cat NO		Sp0011	SP0012	SP0013	SP0014	SP0015		
Fig		2	1	2	2	3		
Class ANSI		53-1	53-2	53-3	53-4	53-5		
Main Dimensions (mm)		H	54	76	81	76	105	
		h	27	38	40.5	38	52.5	
		D	57	79	76	105	102	
		d	45	45	45	73	73	
		d1	18	18	18	18	18	
		d2	22	24	24	24	24	
		R	11	18	11	16	11	
mechanical failing Load/(KN)		9.07	13.6	18.14	20.41	27.22		
Minimum Flashover Voltage	Power-frequency	Dry/KV		20	25	25	25	35
		Wet/KV	upright	8	12	12	12	18
			Level	10	15	15	15	25
Weight		0.22	0.55	0.6	1.15	1.2		